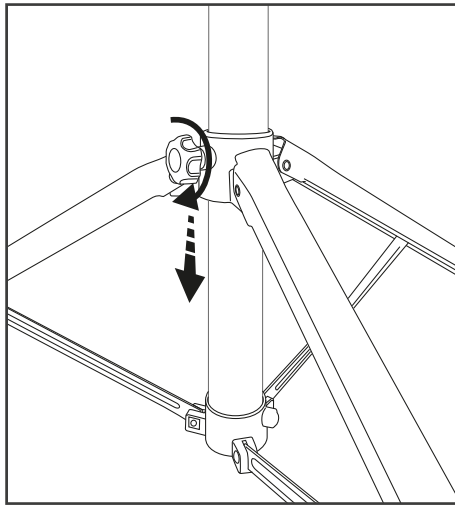
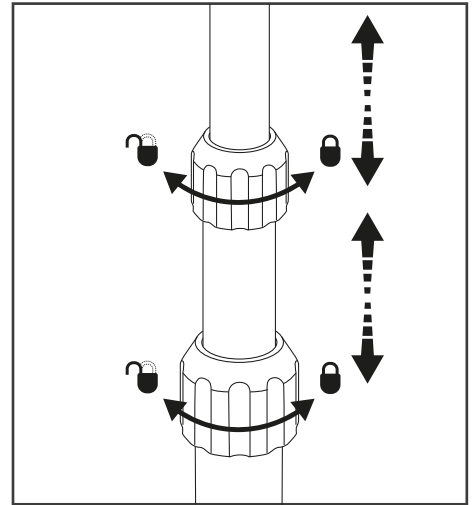


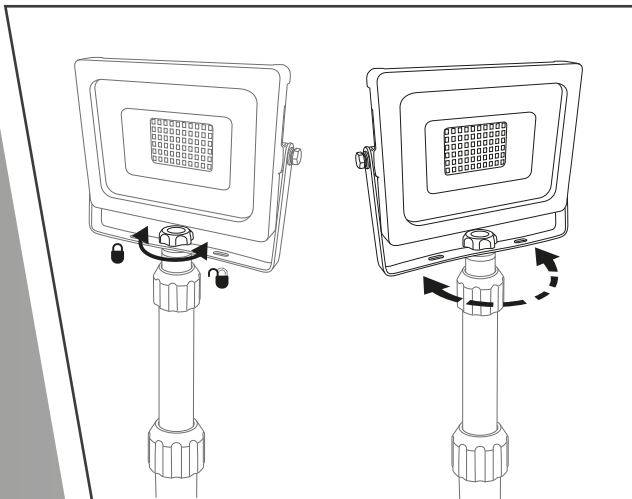
Turn adjustment knob anti-clockwise to unlock. Slide bracket down the centre pole to spread the legs to the desired size.



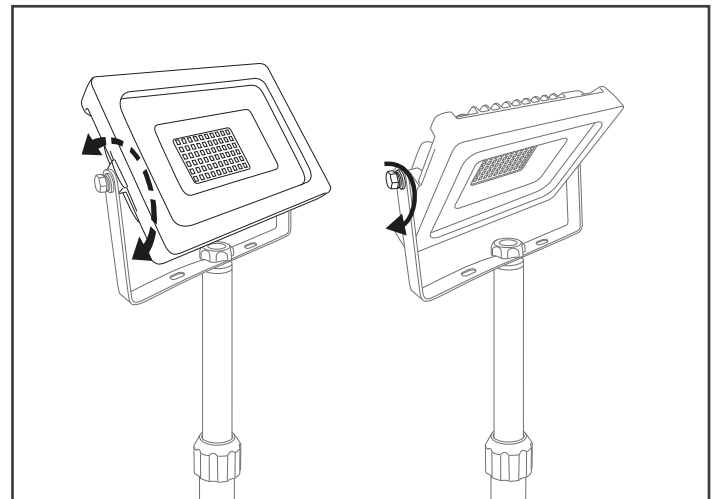
Turn adjustment knob clockwise to lock legs into the current position, **DO NOT OVER TIGHTEN.**



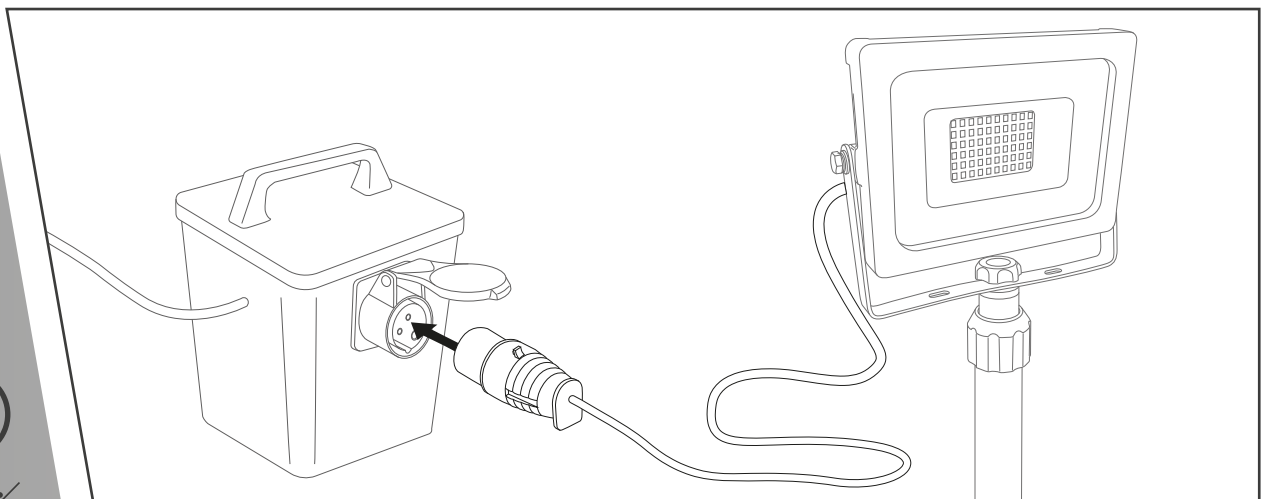
Loosen the compression nut by twisting anti-clockwise, extend the center pole and secure by retightening.



Turn knob anti-clockwise to unlock. Flood bracket has a horizontal rotation of 360°, ensure cable does not tangle with the stand. Turn knob clockwise to lock in the desired location.



Floodlight has a vertical rotation of 360°, ensure cable does not tangle with the bracket. Periodically check the bolt and tighten if needed as this will become loose over time.



This product is only suitable for use with an 110V Transformer (not supplied). **DO NOT** attempt to use this product directly with a 240V supply.

DO NOT MODIFY – this will invalidate the warranty and could be dangerous.

Waste electrical products should not be disposed of with household waste. Please recycle where facilities exist. Check with your Local Authority or retailer for recycling advice.

