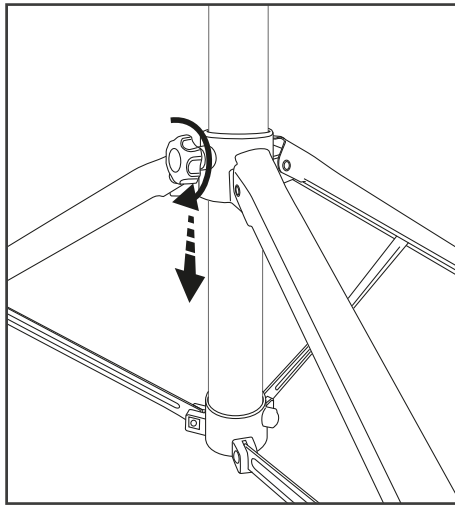
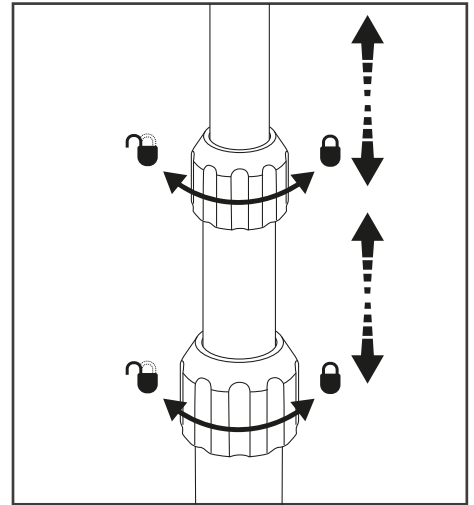


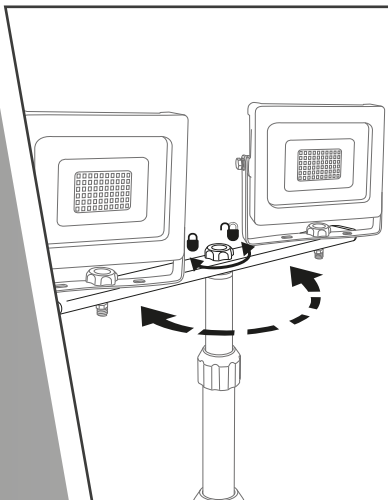
Turn adjustment knob anti-clockwise to unlock. Slide bracket down the centre pole to spread the legs to the desired size.



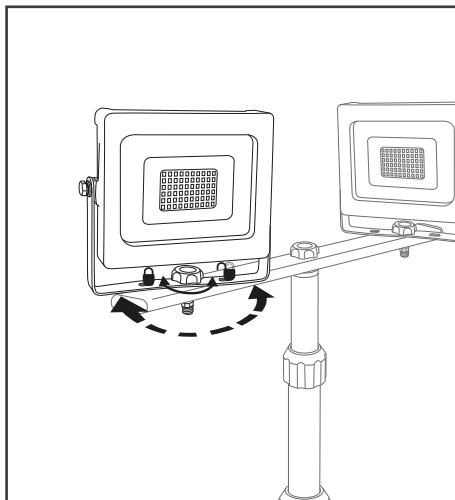
Turn adjustment knob clockwise to lock legs into the current position, **DO NOT OVER TIGHTEN**.



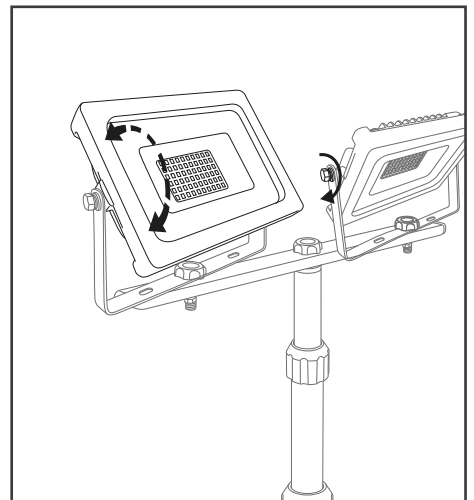
Loosen the compression nut by twisting anti-clockwise, extend the center pole and secure by retightening.



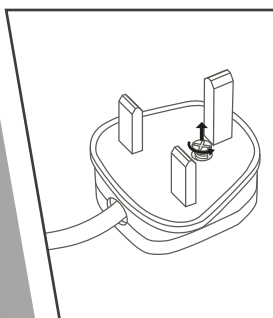
Turn knob anti-clockwise to unlock. Crossbar has a horizontal rotation of 360°, ensure cable does not tangle with the stand. Turn knob clockwise to lock in the desired location.



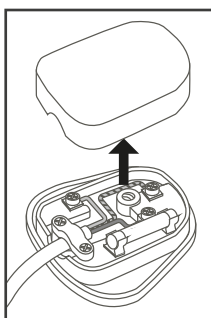
Turn knob anti-clockwise to unlock. Each flood bracket has a horizontal rotation of 360°, ensure cable does not tangle with the stand. Turn knob clockwise to lock in the desired location.



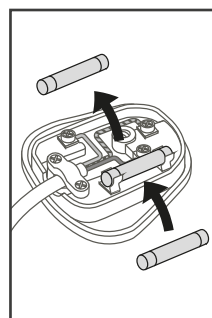
Floodlight has a vertical rotation of 360°, ensure cable does not tangle with the bracket. Periodically check the bolt and tighten if needed as this will become loose over time.



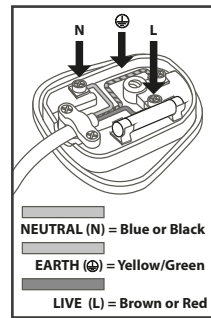
Although **NOT** recommended - should you need change the fuse or re-wire, follow these steps.



Ensure plug has cooled. Loosen screw and remove plug cover.

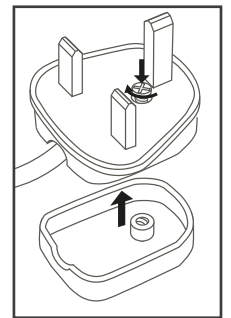


Remove 13-amp fuse and replace with an operational 13-amp fuse



NEUTRAL (N) = Blue or Black
EARTH (E) = Yellow/Green
LIVE (L) = Brown or Red

Ensure wires are securely attached with no loose bare wires. Product requires Earthing.



Replace cover and tighten screw to secure. Plug IP20 and should be used in dry locations.



DO NOT MODIFY – this will invalidate the warranty and could be dangerous.

Waste electrical products should not be disposed of with household waste. Please recycle where facilities exist. Check with your Local Authority or retailer for recycling advice.