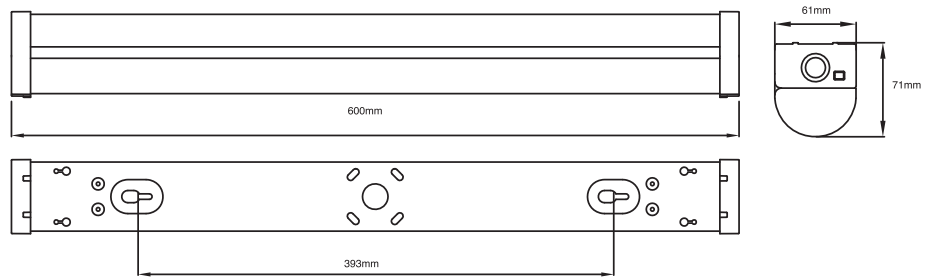


Product Information



Technical Specifications

Model	Voltage	Power	Power Factor	Lumen (±5%)	Beam angle	CCT	Lifespan	CRI	Dimmable	Dimension
S18590	AC 220-240V	10W	>0.9	1300	120°	4000K	50000h	>80	No	600*61*71mm, fixing distance 393mm

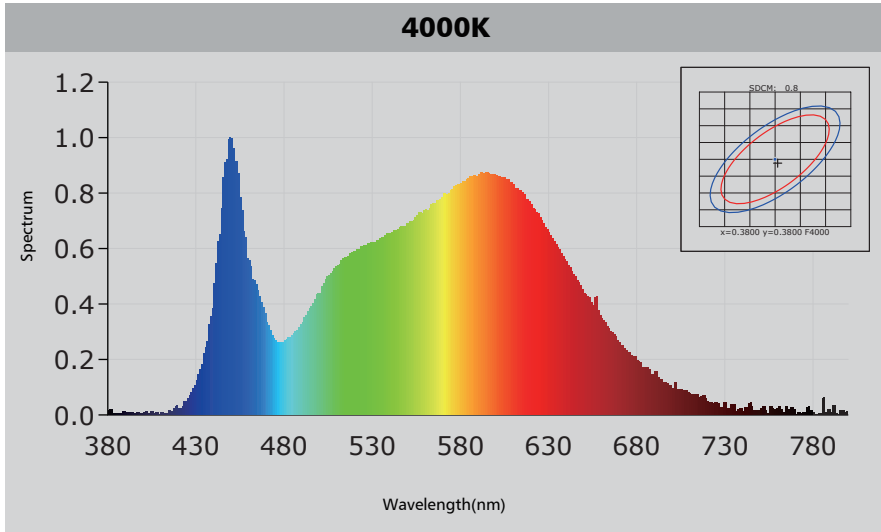
Driver data Sheet

Driver data	DIM
Input rated Voltage	AC220-240V
Frequency	50/60Hz
Input Voltage	AC180-264V
Efficiency	≥81%
Total load Wattage	12W±1W
Power Factor	≥0.8
Rated input current	≤0.1A
Full load output Voltage	14-20V
Rated output current	450mA
Output current range	450mA±5%
Power tolerance	±5%
Current output tolerance	±5%
Withstand voltage	AC3750V
Short circuit protection	PASS
Overload protection	PASS
No-load protection	PASS

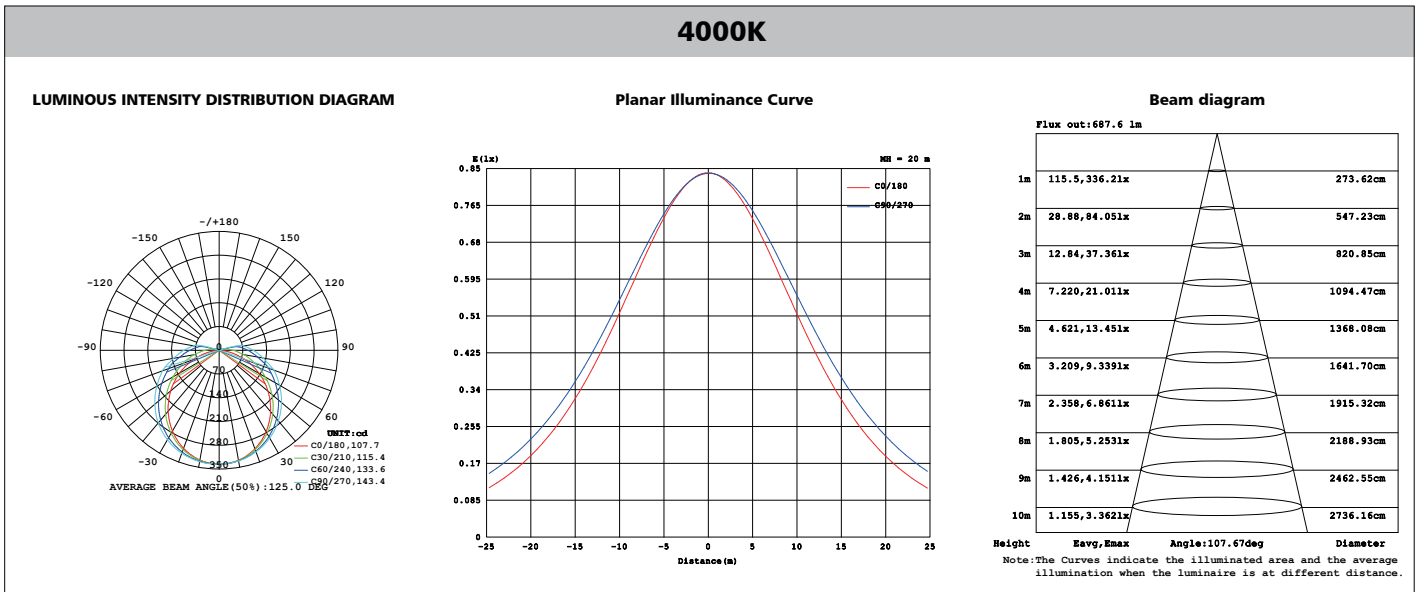
Fixture Compatibility

Rated Wattage	Electrical Classification	Ingress Protection	Operating Temp	Operating Humidity	Storage Temp
10W	I	IP20	-20°C-45°C	10-90%	-40°C-80°C

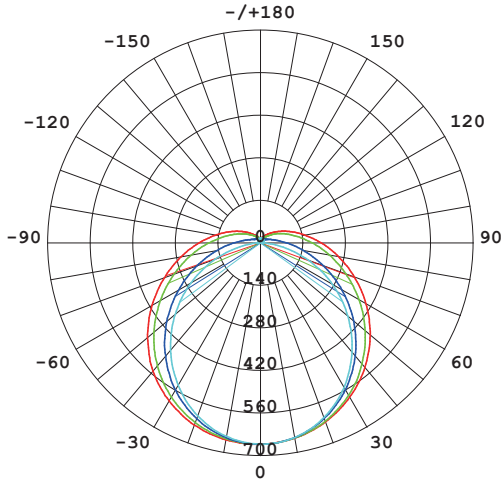
Spectral Distribution



Photometric Diagram



Polar Diagram Comparison

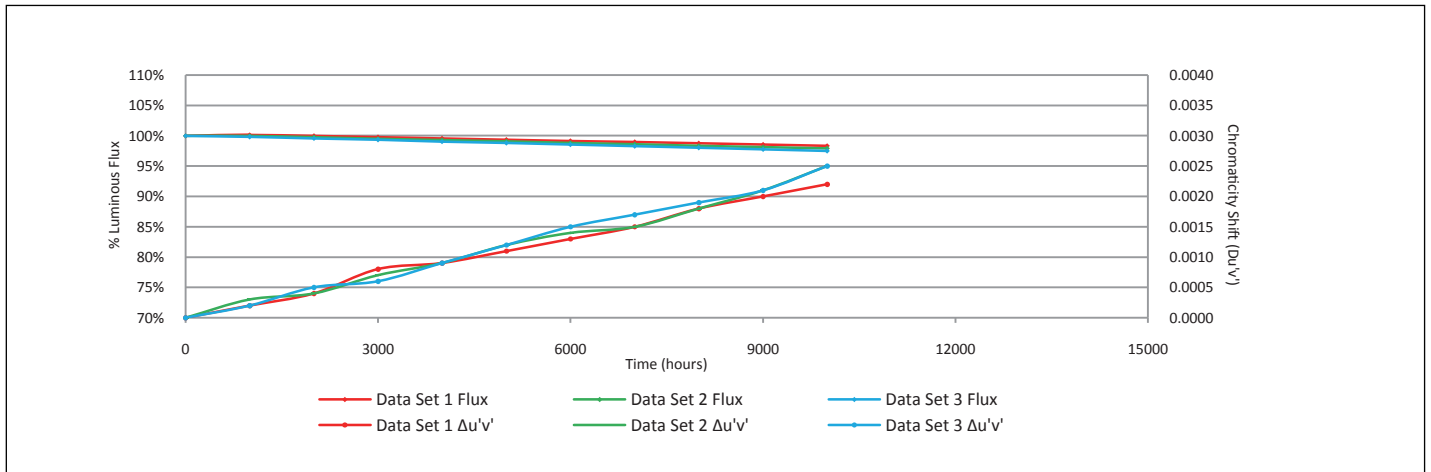


- UNIT : cd**
- C0/180 , 140.4
 - C30/210 , 132.0
 - C60/240 , 115.6
 - C90/270 , 108.0

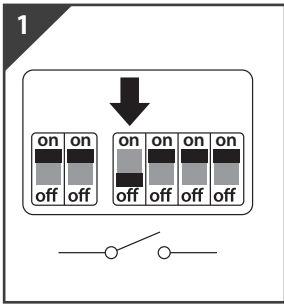
AVERAGE BEAM ANGLE (50%) : 124.0 DEG



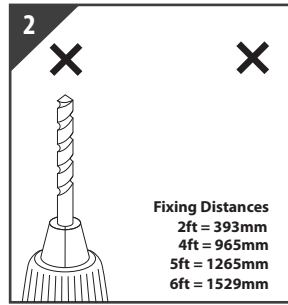
Average Lumen Maintenance and Chromaticity Shift VS. Time



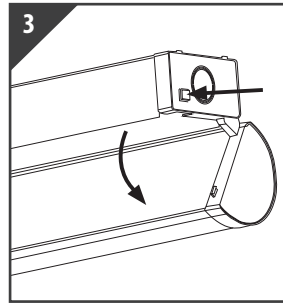
Installation



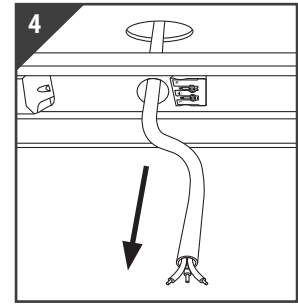
Switch OFF at mains supply before installing



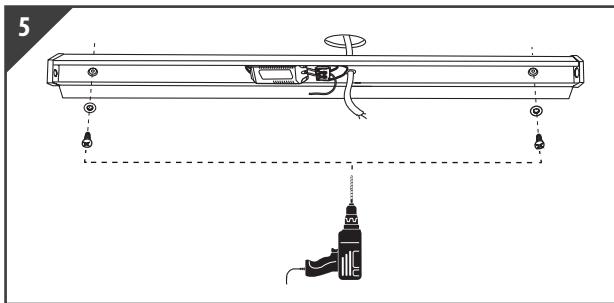
Drill holes to the required distance and install plugs



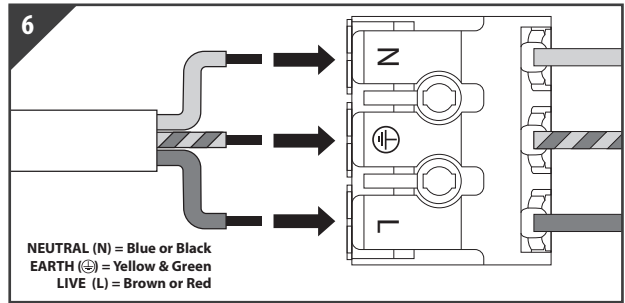
Push button on end-cap and pull open casing



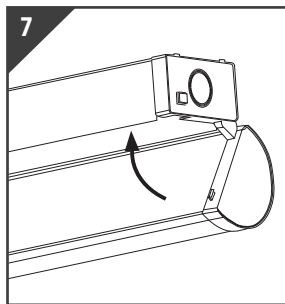
Pull cable from ceiling through hole in batten



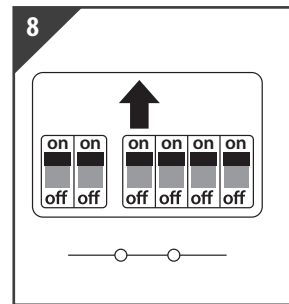
Drill screws into previously installed plugs



Push down the terminal, insert correct supply (as above) into terminal block and release the push fit terminal to secure.



Close casing ensuring it clicks into place



Return power. Switch ON at mains supply

Packaging Information

	SIZE(CM)	N.W/pc (KGS)	G.W.(KGS)	Q'TY(PCS)
Carton	620*36.5*35	0.8	17	20

	CTNS	Q'TY(PCS)	VOLUME(CBM)
20" standard container	350	7000	27.72
40" standard container	726	14520	57.5

