

Installation must be installed by a qualified electrician (BS7671).  
Read before installation and retain for future reference.

Indoor or Outdoor use.

Always check for concealed pipes and cables before installation.

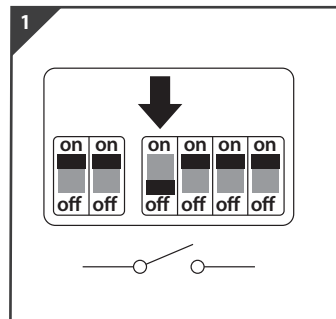
Wood or brick mounting surface.

1.8 - 2.5m Ground Clearance

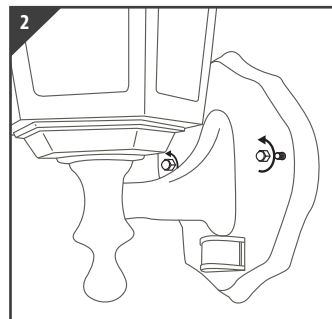
240V-50Hz Incoming supply

Light Source: Not Included

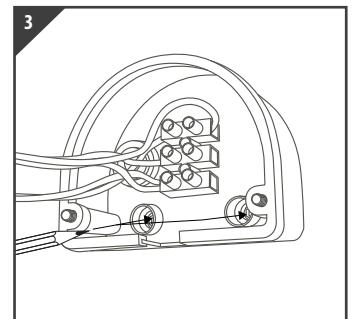
• 1 x LED GLS E27



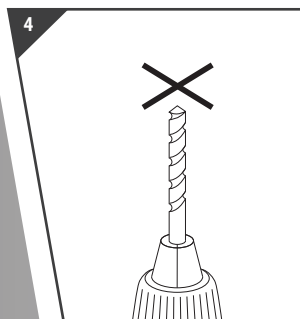
1 Switch OFF at mains supply before installing



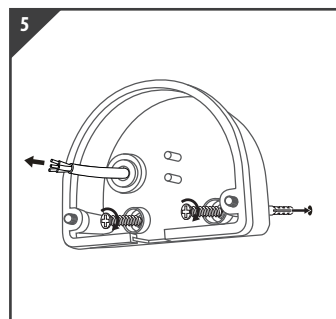
2 Remove 2 nuts from the fitting. Separate the mounting bracket from the fitting



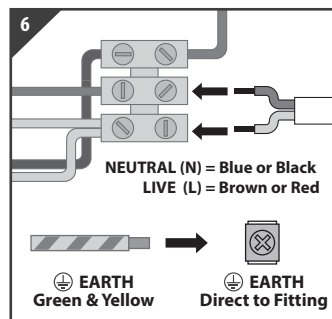
3 Ensure product is located in the correct location and mark the surface. Terminal block can be removed from bracket if needed.



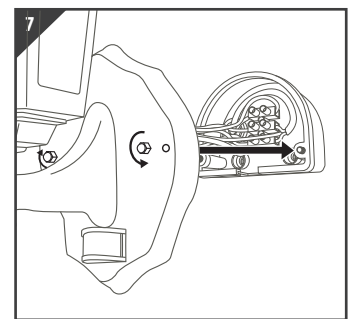
4 Use correct drill bit to the right depth



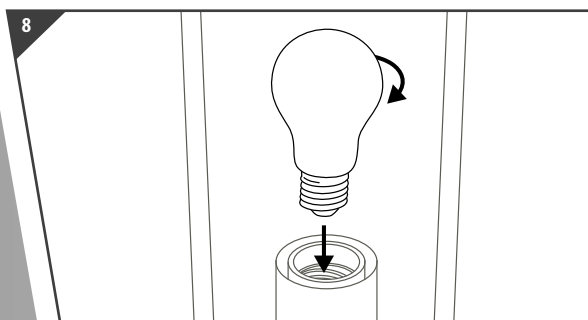
5 Thread the supply cable (H05RN-F) into the mount bracket before securing. Secure the mount bracket to the surface.



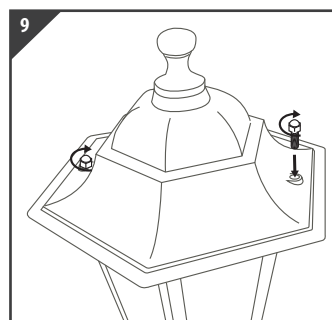
6 Correctly wire supply cable into terminal block, tighten all screws in block. Product MUST be earthed.



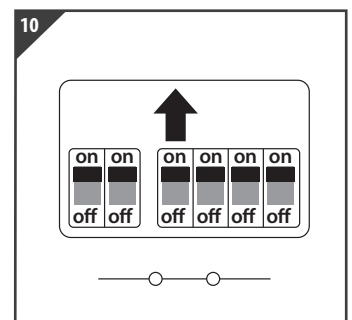
7 Place terminal block onto the securing pegs as the fitting is placed onto the mount bracket and re-secured



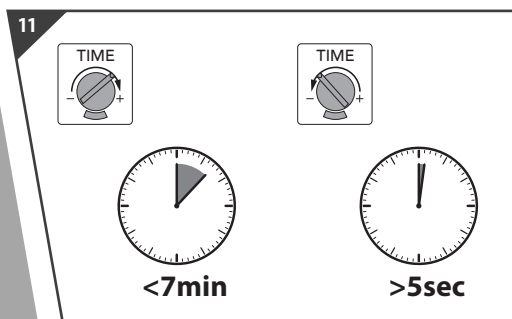
8 Insert correct wattage of GLS (E27 Cap) lamp into the fitting



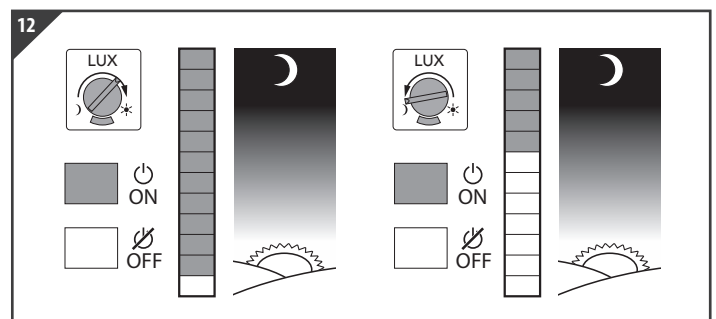
9 Place fitting top of the fitting and secure in place with the two bolts provided



10 Return power. Switch ON at mains supply



11 Adjust the TIME dial to be desired "ON Period" from 5 seconds to 7 minutes



12 Adjust the LUX dial to determine what light level will trigger the fitting to become active. For activity during darkest hours only turn dial towards the moon. Turn the dial towards the sun to activate the fitting during lighter hours.



**DO NOT MODIFY** – this will invalidate the warranty and could be dangerous.

Waste electrical products should not be disposed of with household waste. Please recycle where facilities exist. Check with your Local Authority or retailer for recycling advice.