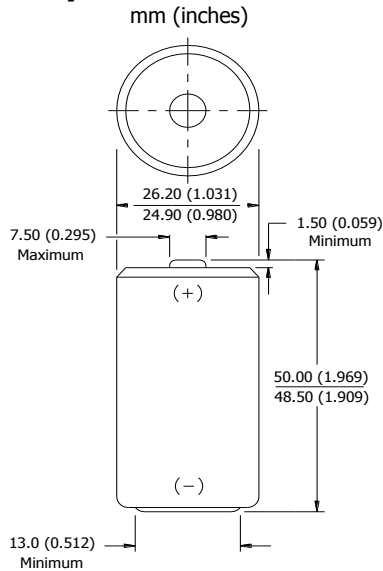


ENERGIZER NH35-2500 (HR14)

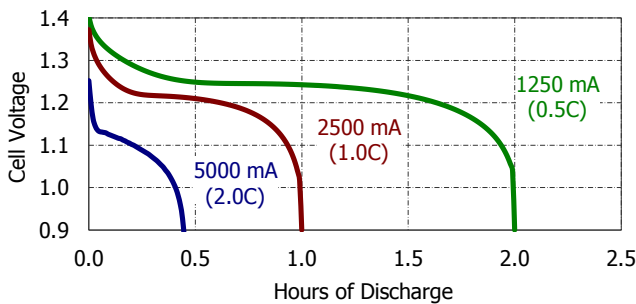
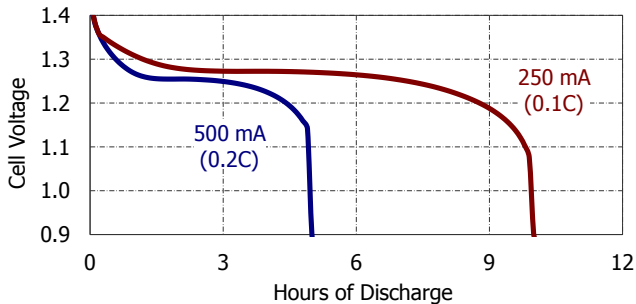


Industry Standard Dimensions



Discharge Characteristics

Typical Performance at 21°C (70°F)



Specifications

| | |
|-------------------------|---|
| Classification: | Rechargeable |
| Chemical System: | Nickel-Metal Hydride (NiMH) |
| Designation: | ANSI-1.2H3 |
| Nominal Voltage: | 1.2 Volts |
| Rated Capacity: | 2500 mAh* at 21°C (70°F) |
| Typical Weight: | 66.0 grams (2.3 oz.) |
| Typical Volume: | 27.0 cubic centimeters (1.6 cubic inch) |
| Terminals: | Flat Contact |
| Jacket: | Plastic |

* Based on 500 mA (0.2C rate) continuous discharge to 1.0 volts.

Internal Resistance:

The internal resistance of the cell varies with state of charge, as follows:

| | |
|---|----------------------------|
| <u>Cell Charged</u> | <u>Cell 1/2 Discharged</u> |
| 11 milliohms | 21 milliohms |
| (tolerance of ±20% applies to above values) | |

AC Impedance (no load):

The impedance of the charged cell varies with frequency, as follows:

| | |
|-----------------------|--|
| <u>Frequency (Hz)</u> | <u>Impedance (milliohms)</u> (charged cell) |
| 1000 | 9 |

Above values based on AC current set at 1.0 ampere.
Value tolerances are ±20%.

Operating and Storage Temperatures:

To maintain maximum performance, observe the following general guidelines regarding environmental conditions:

| | |
|------------|------------------------------|
| Charge: | 0°C to 40°C (32°F to 104°F) |
| Discharge: | 0°C to 50°C (32°F to 122°F) |
| Storage: | -20°C to 30°C (-4°F to 86°F) |
| Humidity: | 65±20% |

NOTE: Operating at extreme temperatures, will significantly impact battery cycle life.

Important Notice

This data sheet contains typical information specific to products manufactured at the time of its publication.
Contents herein do not constitute a warranty and are for reference only.