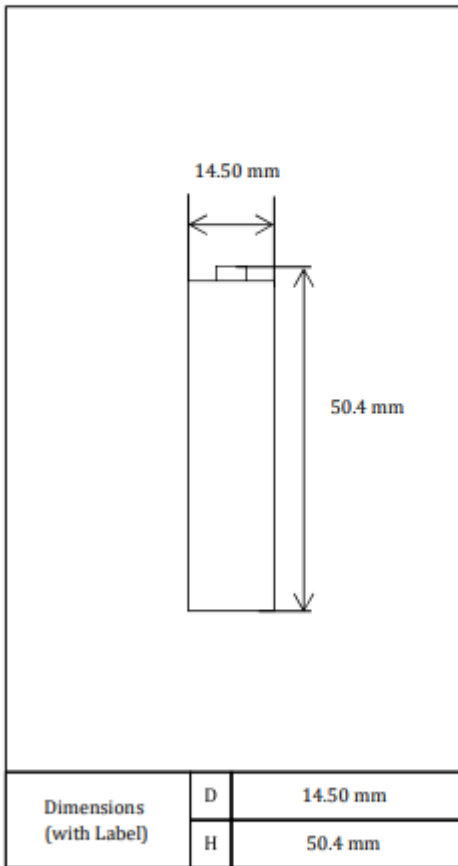


# Panasonic

Cell Type BK-3HCDE

To PECE

## Specifications

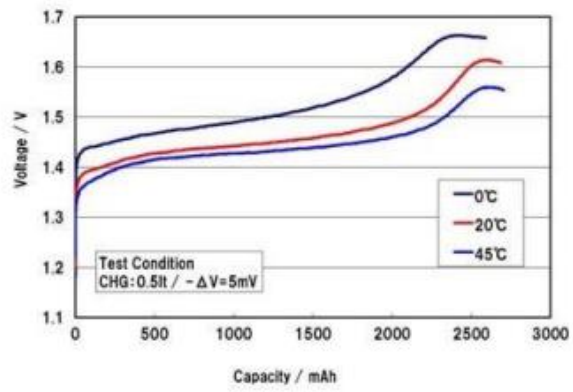


Type : Nickel-Metal Hydride Battery		Size : AA Consumer Type	
Country of origin		Japan	
Capacity <sup>1)</sup>	Minimum	2500mAh	
Nominal Voltage		1.2V	
Charging Current x Time		Fast Charge <sup>2)</sup>	1250mA X 2.2h
Ambient Temp.	Charge Condition	Fast Charge <sup>2)</sup>	0°C - 40°C
	Discharge Condition		0°C - 50°C
	Storage Condition	Less than 90days	-20°C - 40°C
Less than 1year		-20°C - 35°C	
Internal Impedance <sup>3)</sup> (after discharge to E.V.=1.0V)		Approx. 40m Ω (at 1KHz)	
Weight <sup>4)</sup>		Approx. 30 g	
Size <sup>4)</sup> :(Diameter) x (Height)		φ :14.5mm X H:50.4mm	

- 1) Single cell capacity under the following condition.  
Charge: 250mA x 16h, Discharge: 500mA (E.V. =1.0V) at 25deg.C
- 2) Use recommended charging system.
- 3) After a few charge and discharge cycles under the above 1) condition.
- 4) With Label.



## Charge Characteristics



## Discharge Characteristics

