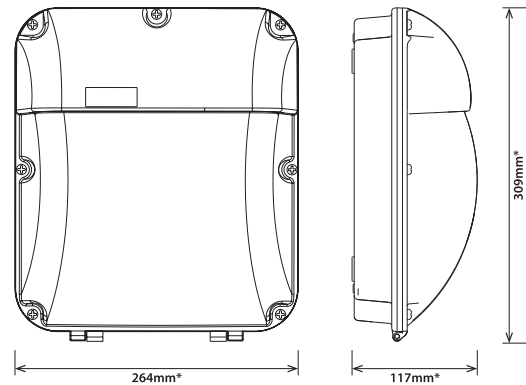


## Product Information



## Technical Specifications

Model	Voltage	Power	Power Factor	Lumen (±5%)	Beam angle	CCT	Lifespan	CRI	Dimmable	Dimension
S18530	AC 220-240V	30W	>0.9	up to 2700	120°	3000K/4000K/6000K	50000h	>80	No	264*309*117mm

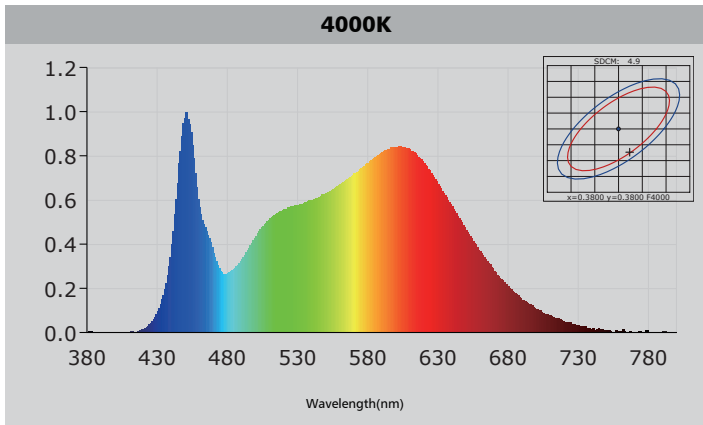
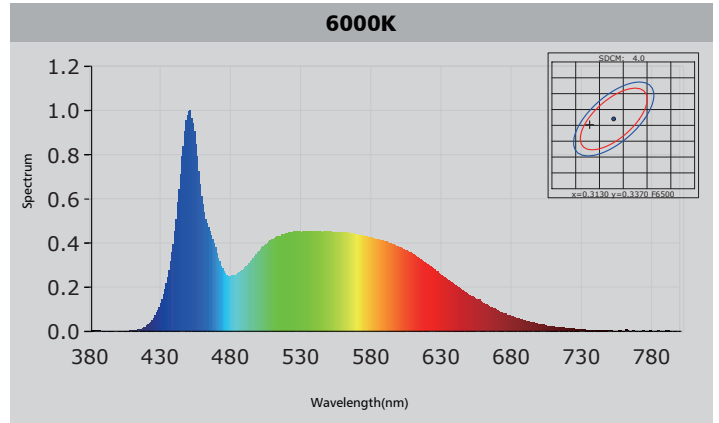
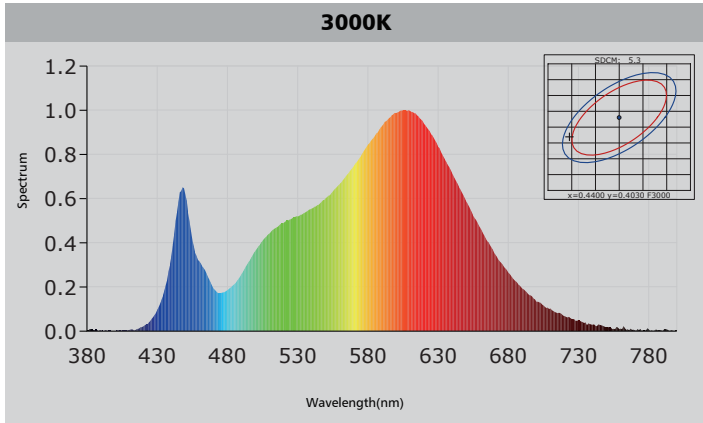
## Driver data Sheet

Driver data	DIM
Input rated Voltage	AC220-240V
Frequency	50/60Hz
Input Voltage	AC180-264V
Efficiency	88%
Total load Wattage	40W
Power Factor	>0.95
Rated input current	<0.25A
Full load output Voltage	28-40V
Rated output current	700mA
Output current range	750±5%
Power tolerance	±5%
Current output tolerance	±5%
Withstand voltage	2000V
Short circuit protection	PASS
Overload protection	PASS
No-load protection	PASS

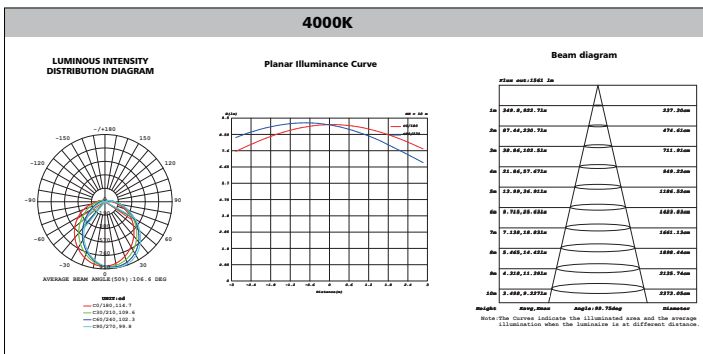
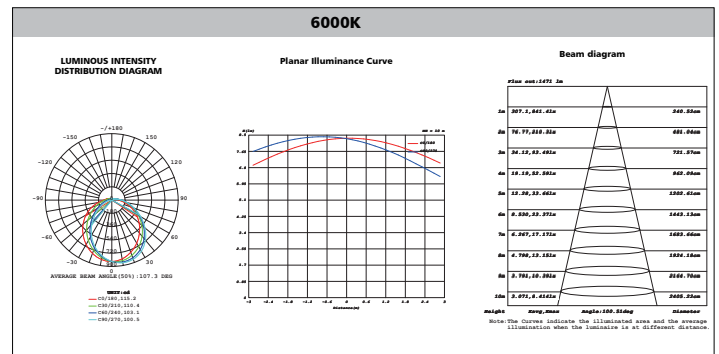
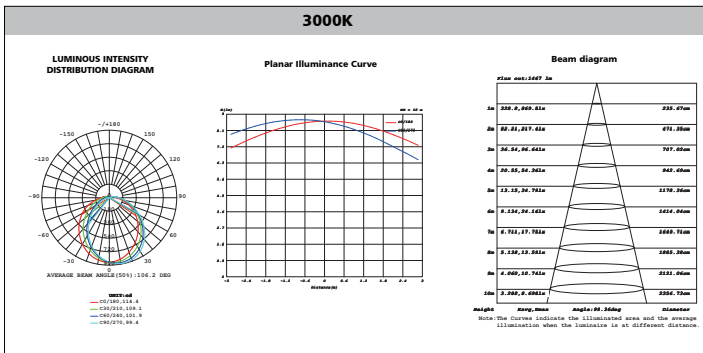
## Fixture Compatibility

Rated Wattage	Electrical Classification	Ingress Protection	Operating Temp	Operating Humidity	Storage Temp
30W	I	IP65	-20°C-40°C	10-90%	-40°C-80°C

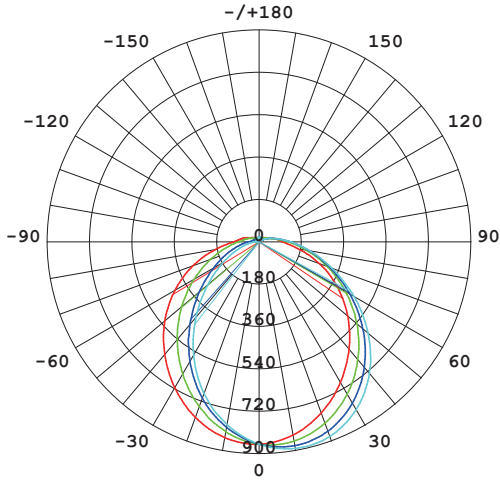
## Spectral Distribution



## Photometric Diagram

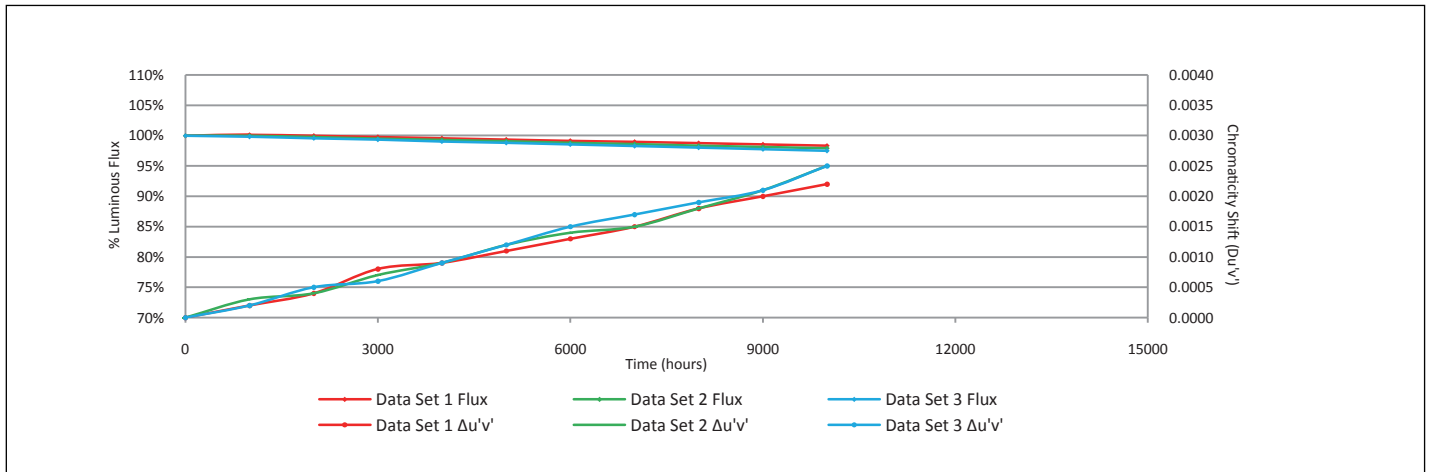


## Polar Diagram Comparison

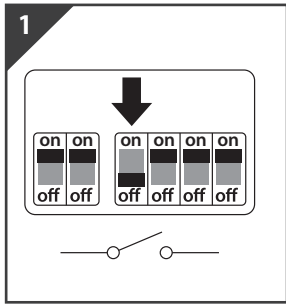


AVERAGE BEAM ANGLE (50%) : 106.2 DEG

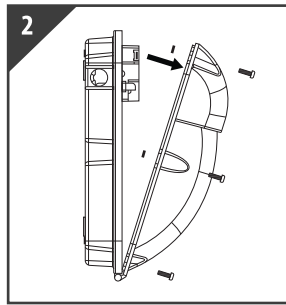
## Average Lumen Maintenance and Chromaticity Shift VS. Time



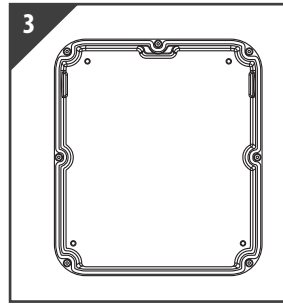
## Installation



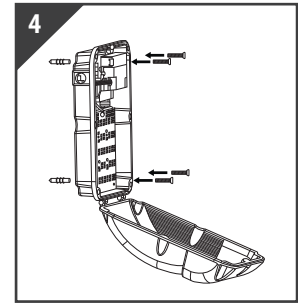
Switch OFF at mains supply before installing



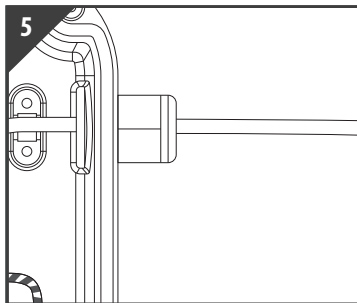
Remove the screws around the sides so that the cover can open on its hinge



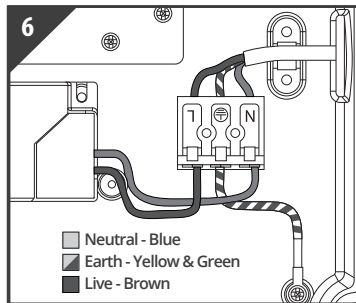
Mark the mounting surface and drill appropriate size holes for the fixings used



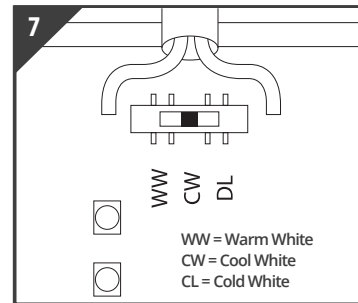
Fix the luminaire to the mounting surface using the fixings supplied



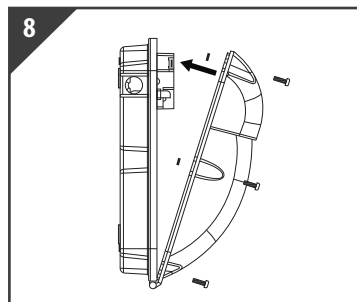
Feed supply cable through gland, ensuring gland is sealed and fixed to maintain IP rating



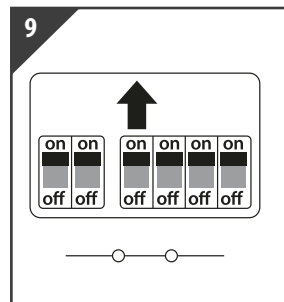
Insert correct supply (as above) into terminal block



Set required CCT using switch



Replace diffuser cover ensuring that the rubber washer is placed over the screw thread



Return power. Switch ON at mains supply

## Packaging Information

	SIZE(CM)	N.W/pc (KGS)	G.W.(KGS)	Q'TY(PCS)
Carton	67*41.5*33	1,95	12.7	6

	CTNS	Q'TY(PCS)	VOLUME(CBM)
20" standard container	296	1776	27.2
40" standard container	621	3276	57

