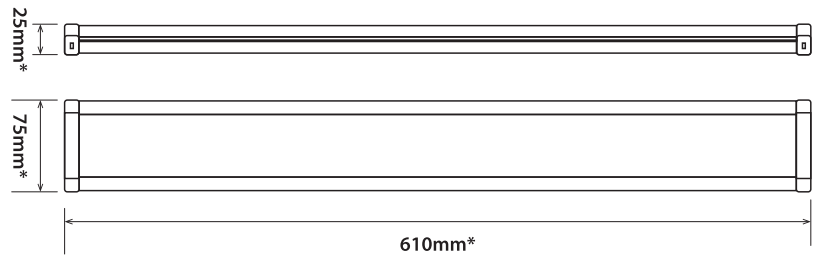


# Product Information



## Technical Specifications

Model	Voltage	Power	Power Factor	Lumen (±5%)	Beam angle	CCT	Lifespan	CRI	Dimmable	Dimension
S15075	AC185-265V	18W	>0.9	1620	120°	4000K	25000h	>80	No	610*75*25mm

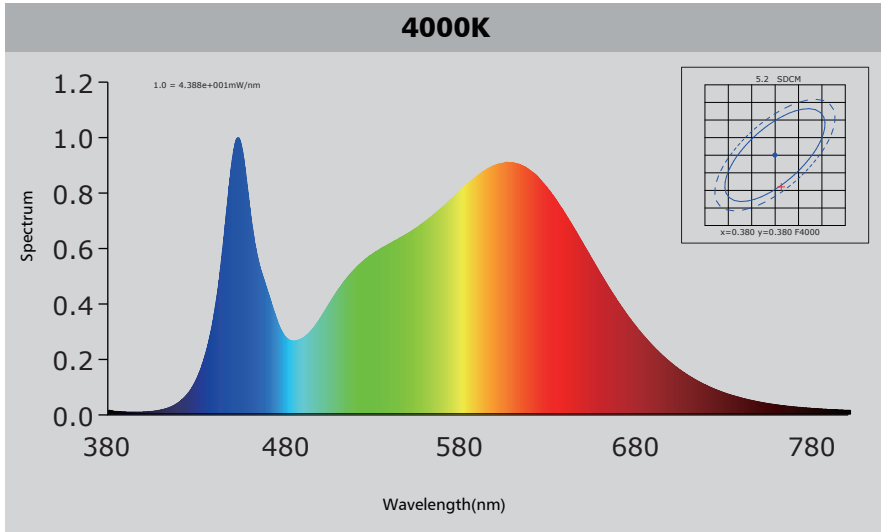
## Driver data Sheet

	DIM
Input rated Voltage	AC220-240V
Frequency	50/60Hz
Input Voltage	AC185-265V
Efficiency	85%
Total load Wattage	18±1W
Power Factor	>0.9
Rated input current	≤0.085
Full load output Voltage	72-84
Rated output current	220mA
Output current range	220mA±5%
Power tolerance	±5%
Current output tolerance	±5%
Withstand voltage	1500V
Short circuit protection	PASS
Overload protection	PASS
No-load protection	PASS

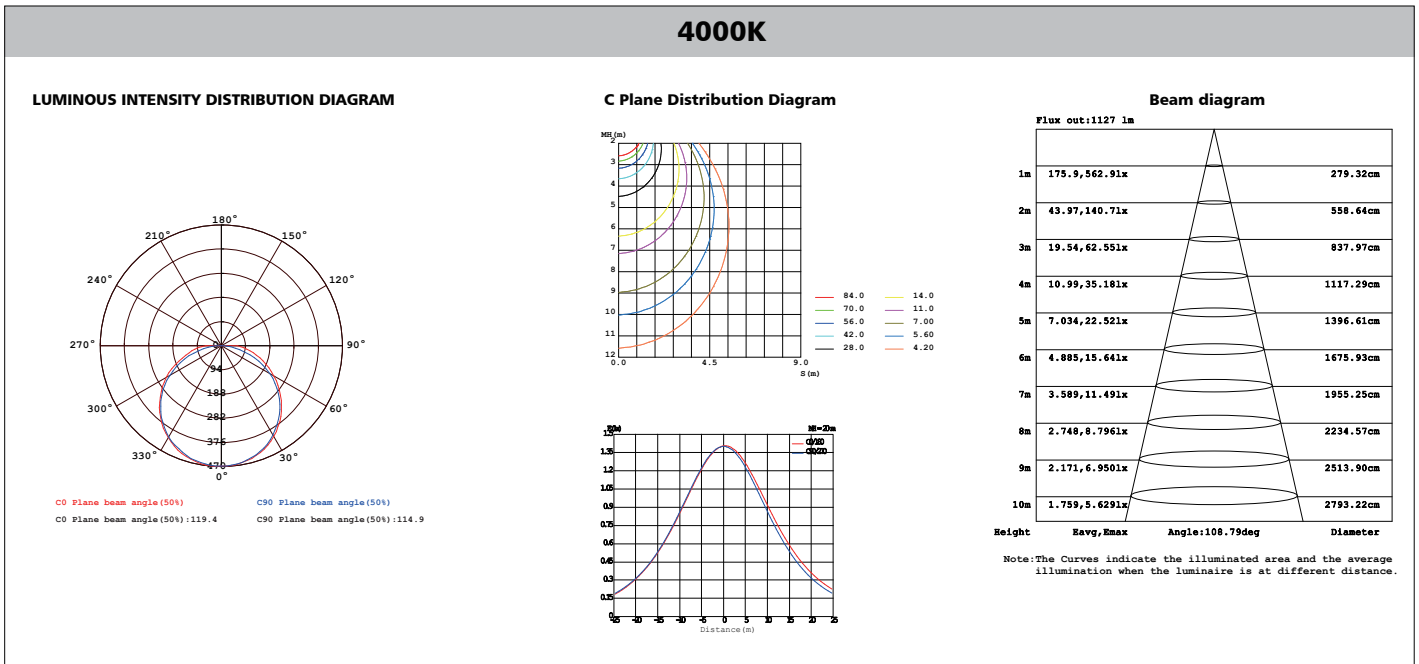
## Fixture Compatibility

Rated Wattage	Electrical Classification	Ingress Protection	Operating Temp	Operating Humidity	Storage Temp
18W	I	IP20	-20°C-45°C	0-90%	-20°C-65°C

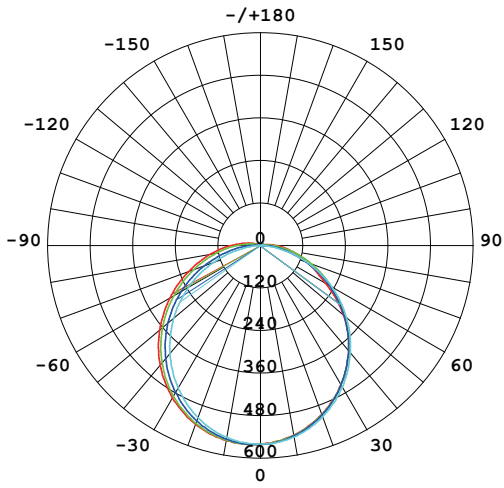
## Spectral Distribution



## Photometric Diagram



## Polar Diagram Comparison

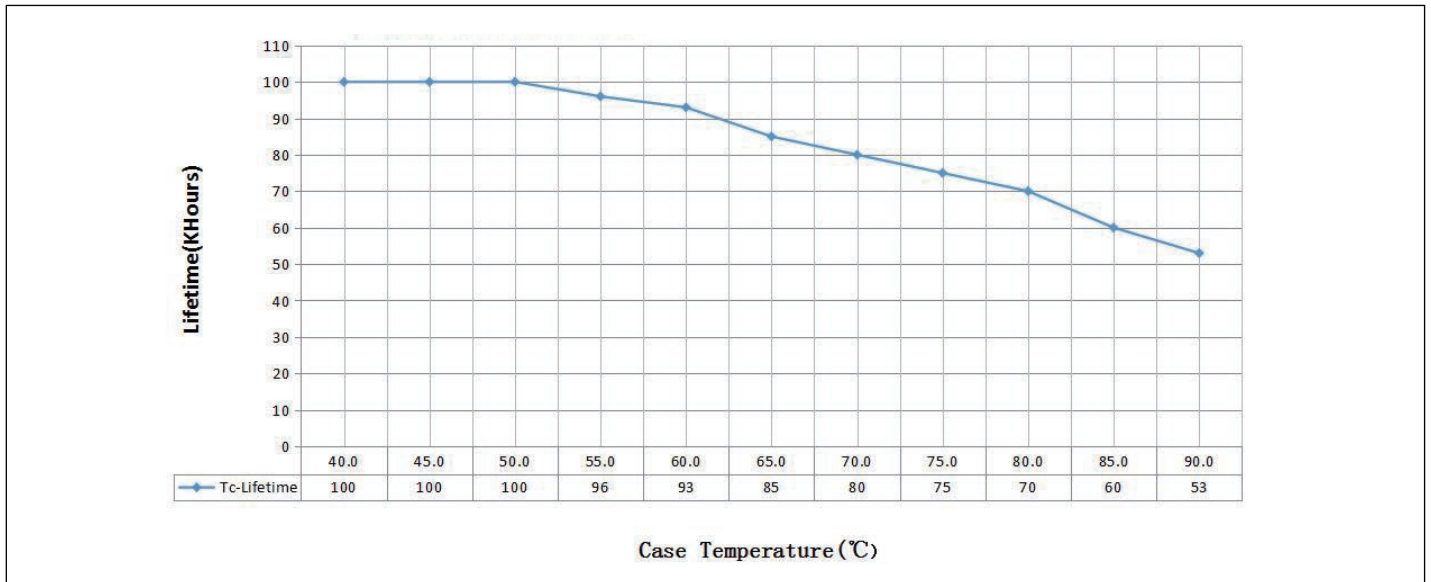


- UNIT : cd**
- C0/180 , 114.4
  - C30/210 , 113.9
  - C60/240 , 110.5
  - C90/270 , 109.0

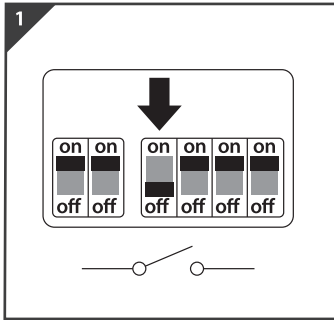


AVERAGE BEAM ANGLE (50%) : 112.0 DEG

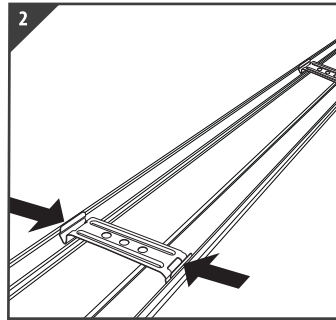
## Average Lumen Maintenance and Chromaticity Shift VS. Time



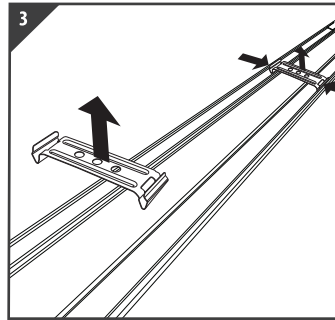
## Installation



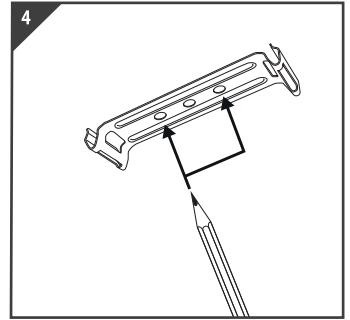
Switch OFF at mains supply before installing



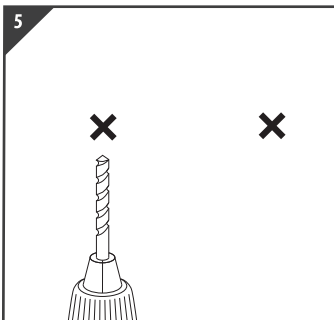
Compress the clip to remove from the fitting



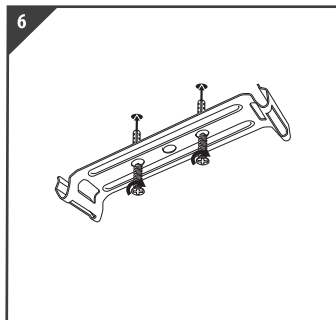
Remove all clips



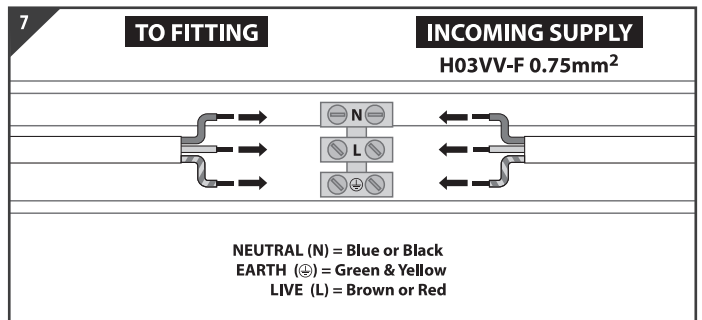
Mark the positioning for all the clips. Ensure alignment is perfectly straight.



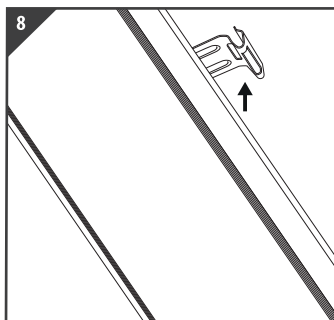
Use the correct sized drill bit and type for the mounting surface



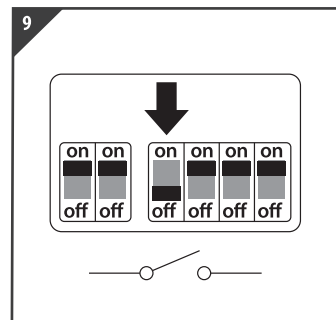
Secure brackets with the wall plugs and screws provided



Insert correct supply (240 V/50Hz H03VV-F 0.75mm<sup>2</sup> core cable) and wiring from the fitting into terminal block (not provided), tighten all screws in block.



Push fitting onto the clips, these will click



Return power. Switch ON at mains supply

## Packaging Information

	SIZE(CM)	N.W/pc (KGS)	G.W.(KGS)	Q'TY(PCS)
Carton	63.5*32.5*18	0.3	6.5	20

	CTNS	Q'TY(PCS)	VOLUME(CBM)
20" standard container	750	15000	27.86
40" standard container	1830	36600	67.98

