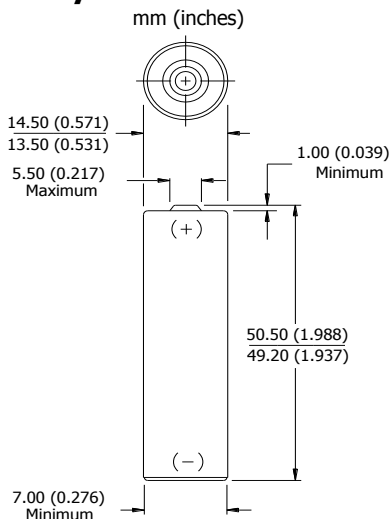


# ENERGIZER NH15-2000 (HR6)

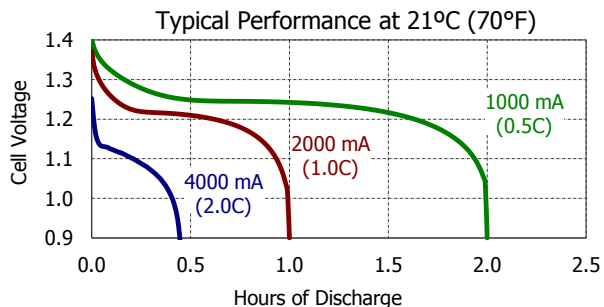
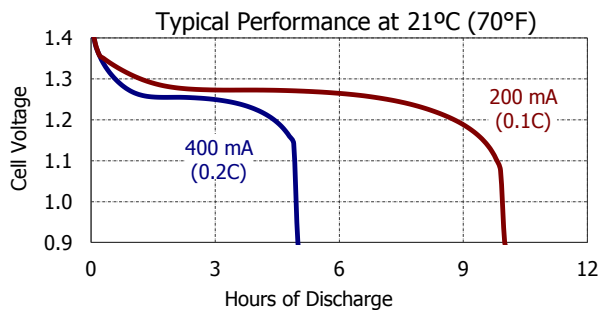
**AA**



## Industry Standard Dimensions



## Typical Discharge Characteristics



## Specifications

**Classification:** Rechargeable  
**Chemical System:** Nickel-Metal Hydride (NiMH)  
**Designation:** ANSI-1.2H2 IEC-HR6  
**Nominal Voltage:** 1.2 Volts  
**Rated Capacity:** 2000 mAh (to 1.0 volts)  
 Based on 400 mA (0.2C) discharge rate  
**Typical Weight:** 27 grams (0.95 oz.)  
**Typical Volume:** 8.3 cubic centimeters  
**Jacket:** Plastic Label

### Internal Resistance:

The internal resistance of the cell varies with state of charge, as follows:

Cell Charged	Cell 1/2 Discharged
30 milliohms	40 milliohms
(tolerance of ±20% applies to above values)	

### AC Impedance (No Load):

The impedance of the charged cell varies with frequency, as follows:

Frequency (Hz)	Impedance (milliohms) (Charged Cell)
1000	12

Above values based on AC current set at 1.0 ampere. Value tolerances are ±20%.

### Operating and Storage Temperatures:

To maintain maximum performance, observe the following general guidelines regarding environmental conditions.

Charge: 0°C to 40°C  
 Discharge: 0°C to 50°C  
 Storage: -20°C to 30°C  
 Humidity: 65±20%

Operating at extreme temperatures, will significantly impact battery cycle life.

### Important Notice

This datasheet contains information specific to battery chargers manufactured at the time of its publication. Contents herein do not constitute a warranty and are for reference only