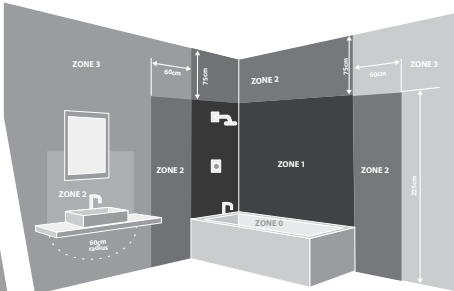


LED CCT Emergency Gear Tray

Installation must be installed by a qualified electrician (BS7671).
Read before installation and retain for future reference.
Always check for concealed pipes and cables before installation.



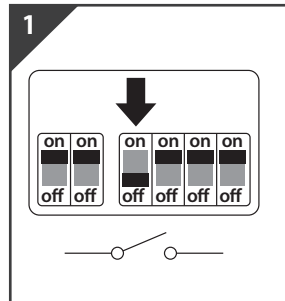
LOCATION

This product is suitable for zones 1 and 2 (not zone 0).

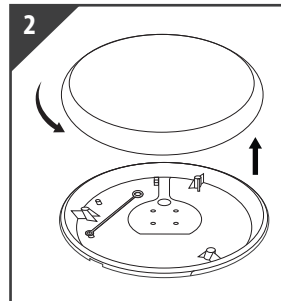
Zone 0: the area inside the bathtub or shower.

Zone 1: the area around the bathtub or shower basin up to a height of 2.25m above the floor and at a radius of 1.2m from the water outlet.

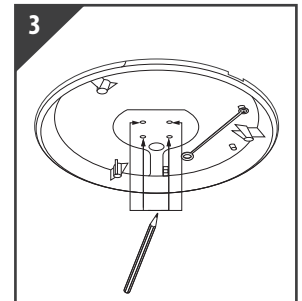
Zone 2: is limited by the vertical planes external to zone 1 and parallel vertical plane(s) 0.60m external to zone 1.



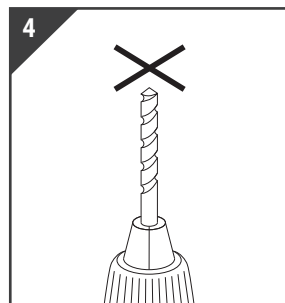
1 Switch OFF at mains supply before installing



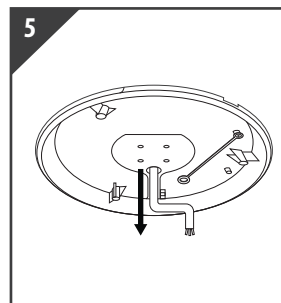
2 Hold the base securely and twist to unlock and remove the diffuser



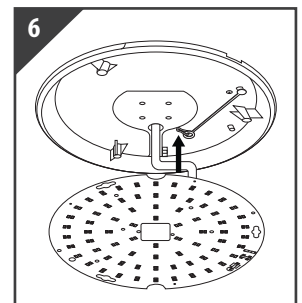
3 Ensure product is located in the correct location and mark the fixing surface



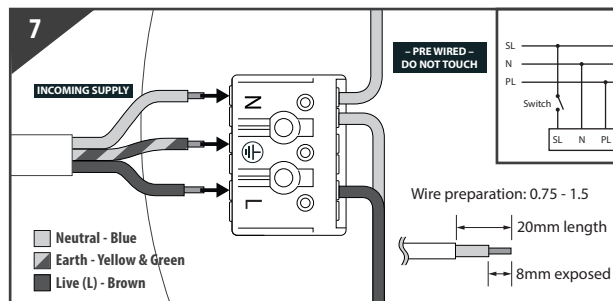
4 Use correct drill bit to drill screw holes



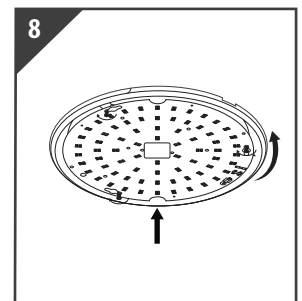
5 Pull power supply through hole in the base plate



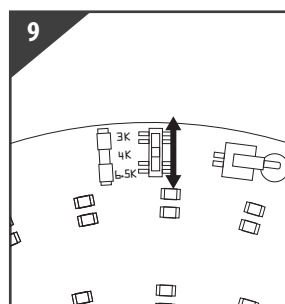
6 Attach safety belt to gear tray



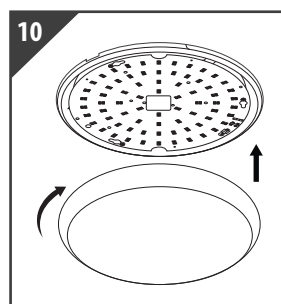
7 Press the individual terminal and insert the correct incoming supply before releasing the terminal to secure. The product MUST be earthed



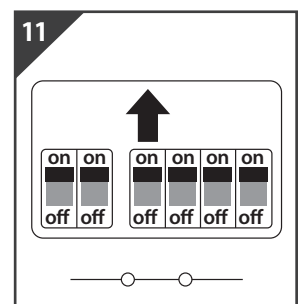
8 Align gear tray with screws and tighten



9 Use the CCT selection switch on the gear tray to select the desired colour temperature



10 Push and twist the diffuser back into place



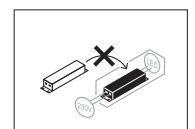
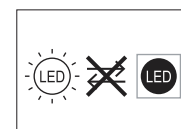
11 Return power. Switch ON at mains supply



DO NOT MODIFY – this will invalidate the warranty and could be dangerous.

Waste electrical products should not be disposed of with household waste. Please recycle where facilities exist. Check with your Local Authority or retailer for recycling advice.

INSTRUCTIONS CONTINUED OVERLEAF, PLEASE TURN OVER



This product contains a light source of energy efficiency class



EMERGENCY MAINTENANCE & TESTING

Make the electrical connections to the push-fit terminals

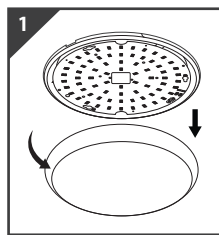
LIVE (Red or Brown) to the terminal marked **PL** (permanent Live)

LIVE (Red or Brown) to the terminal marked **SL** (switched Live)

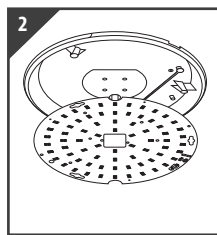
NEUTRAL (Black or Blue) to the terminal marked **N**

EARTH - (Green/Yellow) to terminal marked E  This unit must be earthed.

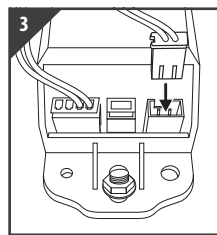
- **LED Indication: Green** light indicates the battery is charging. Ensure the Green LED comes on after connecting power, this will turn off when the luminaire is discharging. Ensure batteries are charged for a minimum 24 hours before any testing is carried out. If at any time under normal operation the green LED goes out, then the fitting should be tested.
- Connect battery flying lead to inverter battery charging pins (**Please Note:** batteries require 24hrs charge time to achieve full operational capacity).



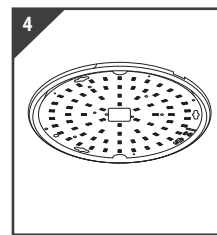
1 Twist and remove diffuser



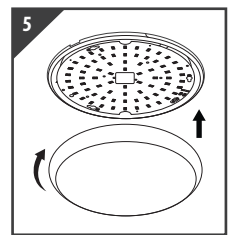
2 Unscrew and release gear tray from the base plate



3 Ensure battery is plugged into the inverter socket, (disconnected during transit).



4 Secure gear tray back on to the base plate



5 Push and twist the diffuser back into place

NOTE: We would recommend that this product is periodically cleaned as part of your maintenance schedule. Only use a damp cloth, do not use chemicals or other cleaning products.

IMPORTANT: It is the responsibility of the installer and the end user of this fitting to ensure an accurate record of the installation date and maintenance is kept. The luminaire batteries should be marked with the commissioning date at the time of hand-over.

Periodic Testing (Emergency Luminaires) (Consult BS 5266 for full details)

The luminaire must be checked periodically for correct operation, and to evaluate the remaining capacity in the battery at regular intervals during its life. Functional testing is facilitated by wiring a key operated control in series with permanent live supply to all the emergency luminaires in one area, operating this control fails the supply and places the luminaires wired to it into the emergency mode, so that they can be inspected.

- A visual check of the LED charge indicator should be carried out on a daily basis.
- The luminaire should be tested in emergency mode once a month by simulating a mains supply failure (ensure mains is restored after testing).
- Annually the luminaire should be tested in emergency mode to ensure it achieves its entire rated duration of emergency operation (3hr).
- Record the periodic testing in the table below, and keep all records in a safe place.

IF THE LUMINAIRE FAILS TO ACHIEVE ITS RATED DURATION, PLEASE SEEK FURTHER ADVICE.